

ALPINE DURA-LINE SHREDDER UNIVERSAL IN USE



HOSOKAWA ALPINE

PROCESS TECHNOLOGIES FOR TOMORROWSM



Alpine's DURA-LINE shredder is a robust single-shaft shredder that is universal in use for plastic, paper and recycling applications.

TIME-PROVEN TECHNOLOGY IN HIGH-TECH DESIGN

The design principle bases on a patented multi-edge knife shaft and features a new cutting system. Our DURA-LINE shredders are characterised by a heavy, torsion-resistant support construction, knife shafts made from a solid and special perforated screens that permit precise determination of the product.

THE OPTIMAL OPERATING MODE FOR EVERY MATERIAL

A menu-guided control system permits variable settings to be programmed and operating modes for different materials (as a function of their specific properties) to be stored in memory. Even the most difficult material can be shredded reliably and without problem.

EXCEPTIONAL FLEXIBILITY

- Cutting power and cutting pressure can be set to suit the task in hand
- The cutting frequency/speed of the shaft can be regulated
- Power control with blockage and reversing value specifications
- The feed and return speed of the pusher drawer can be set

- The discharge rate can be adjusted to suit downstream units
- Granule size definition at minimum undersize and oversize portions
- Different knife designs and numbers of knives available

THE NEW MULTI-EDGE KNIFE SHAFT AND THE NEW CUTTING SYSTEM

Because of the positive engagement of the knife blades with respect to the knives on the opposite side, materials such as plastic film or fibres are stripped reliably and cannot wind themselves around the shaft.

FEATURES

- Minimum cutting clearance brought about by the precise and secure knife fastening system

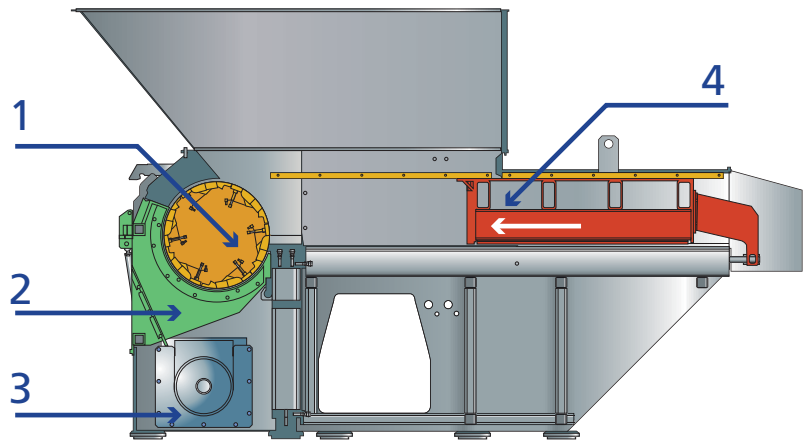
- Simple and self-centering fastening of the cutting knives
- High impact strength brought about by the knife seats milled into the shaft
- Modular design
- Self-cooling when rotating

KNIFE RANGE

Dependent on the problem specification, patented, distortion-proof knives with different profiles are available.

HYDRAULIC DRIVE (OPTION)

The hydraulic drive ensures smooth operation, even in the face of extreme loads. The speed is steplessly adjustable and permits optimum adjustment to the size reduction task in hand.



- 1 = Knife shaft
- 2 = Screen
- 3 = Discharge screw
- 4 = Feed drawer

Type	40/100		40/140		60/140		60/170		80/140		80/170		80/200		
	F	G	F	G	F	G	F	G	F	G	F	G	F	G	
Rotor diameter	mm	360	308	360	308	540	485	540	485	720	665	720	665	720	665
Rotor length	mm	1000	1000	1340	1340	1340	1340	1680	1680	1340	1340	1680	1680	2020	2020
No. of rotor knife rows	pcs.	16	12	16	12	24	12	24	12	30	12	30	12	30	12
Number of rotor knives	pcs.	72	36	96	48	144	48	180	60	240	72	300	90	360	108
Size of rotor knives	mm	40	80	40	80	40	80	40	80	40	80	40	80	40	80
Number of stator knives	pcs.	2	2	2	2	2	2	2	2	2	2	2	2	2	2
Drive power	kW	45 - 75	45 - 75	45 - 90	45 - 90	60 - 132	60 - 132	75 - 200	75 - 200	90 - 200	90 - 200	132 - 250	132 - 250	200 - 250	200 - 250
Max. speed	1/min	280	280	280	280	280	280	280	280	280	280	280	280	280	280

Type of drive either mechanical or hydraulic, dependent on the problem specification

HOSOKAWA ALPINE Aktiengesellschaft, P.O. Box 10 11 51, D-86001 Augsburg, Germany,
Tel.: + 49 821 5906-0, Fax: + 49 821 5906-630, E-mail: recycling@alpine.hosokawa.com, Web: www.alpinehosokawa.com

Subject to change without notice.
All information in this brochure is purely informative and non-binding.
Our quotations are authoritative with regard to orders.